

REQUEST FOR QUOTATION

Date: 26/10/2016

RFQ No. : RFQ/10ACT/IHPF/SANITATION/ERB/26102016

ACTED (Agency for Technical Cooperation and Development), in anticipation of upcoming projects that may require rapid construction of emergency infrastructure, is seeking quotations for below products:

PRODUCT SPECIFICATIONS:

- | | |
|------------------------------------|---|
| 1. Description: | Supply of prefabricated metal toilets and showers |
| 2. Quantity | As per below table |
| 3. Product class / category: | Finished |
| 4. INCOTERM (delivery conditions): | DDP¹ ACTED Bardarash Warehouse |
| 5. Quantity/unit: | As per below table |

RESPONSIBILITIES OF THE CONTRACTOR:

- | | |
|------------------------|--|
| Validity of the offer: | 3 months |
| Delivery leadtime: | Capacity for first deployment in 48h after the signature of the contract |

Proposed Activities

The work entails the construction and installation of emergency sanitation and solid waste disposal in recently liberated areas and as per the details mentioned below.

It is envisaged that the contractor will:

1. Conduct a site visit and survey the area
2. Clear and level the worksite, with disposal of all trash
3. Excavate all surfaces needed as indicated in the bill of quantities (BoQ), drawings and as directed by ACTED supervisor
4. Test all materials
5. Fill and compact excavated trenches
6. Clean the worksite and remove all trash
7. Participate in handover to local authorities if requested

GENERAL CONDITIONS:

1. The **closing date** of this RFQ is fixed on **02/11/2016 (November 2nd, 2016) at 17:00 (Iraq time)** in ACTED office at the following address:
ACTED representative office in Erbil, IRAQ (6th street (Khabat street) on the right after Ankawa intersection, 1st street on the right, House #: 240/1/467 Hadiyab quarter, Ainkawa, Erbil, Iraq)
ACTED representative office in Baghdad: District No.: 923, Street No.: 43, House No.: 25, Al-Jaderiya area, Hay Babil, Baghdad, Iraq
Or emailed to both: iraq.tender@acted.org and tender@acted.org
2. Tenderers will fill, sign, stamp and return the Quotation Form.

¹ DDP - "Delivered Duty Paid" means that the seller delivers the goods when the goods are placed at the disposal of the buyer, cleared for import on the arriving means of transport ready for unloading at the named place of destination. The seller bears all the costs and risks involved in bringing the goods to the place of destination and has an obligation to clear the goods not only for export but also for import, to pay any duty for both export and import and to carry out all customs formalities. (<http://www.iccwbo.org/products-and-services/trade-facilitation/incoterms-2010/the-incoterms-rules/>)



ACTED
Agency for technical cooperation and development.

3. The offer should be provided using the below ACTED template.
4. Tenderers will sign and return all pages of this document.
5. Tenderers will provide evidence of experience undertaking similar work.
6. The quotation will not directly result in the award of a contract.
7. Prices are mandatory in US Dollar (USD)

SPECIFIC CONDITIONS:

- The contractor shall report to the WASH Programme Manager
- If requested to do so, the contractor must visit the site(s) before signing the contract
- The contractor should follow all instructions of ACTED supervising engineer
- The contractor is responsible for any losses or delays in the project until completion of the work and formal handover to ACTED
- The contractor is to incur all duties, taxes, delivery and transport costs
- The contractor must follow ACTED security guidelines at all times

Procurement Conditions

- All procurement costs are to include the supply of materials, equipment and labour required for construction or installation
- All procurements should be done according to respective technical standards and specifications
- All procurements are subject to approval by supervising engineer in consultation with local authorities
- All amounts within the tender quantity are approximate; final amounts for invoice will be measured on site by the supervising engineer
- Any additional costs not specified on the tender document will not be paid without previous approval from ACTED

QUOTATION FORM

Details of Company

| | | | |
|--------------------------------|--|-------------------------------|--|
| Company Name | | Company Specialization | |
| Representative | | Phone Number | |
| Registration Number | | Email Address | |
| Country of Registration | | Mailing Address | |

LOT1: PRE-FABRICATED EMERGENCY LATRINES/SHOWERS

| No. | Item | Specification | Unit | Quantity (1) | Unit Price USD (2) | Total Price USD (1) x (2) |
|-----|------------------------------|---|------|--------------|--------------------|---------------------------|
| 1 | Prefabricated superstructure | Supply of prefabricated steel structure made from steel angles 1.5"x1.5" 4mm thick. using electro welding including anti-rust paint and according to the drawings. Including welding of steel resting foot 15 x 15 cm Corrugate steel sheets (or sandwich panels) for walls, door and roof. slabs fixed by bolts including steel slide locks for inside | pcs | 447 | | |
| 2 | Floor (toilet) | Checker (floor)plate 4mm thick. for floor including PVC WC (arabic toilet) base with 4" (inch) PVC connection , P-trap for poor flush latrine (horizontal outlet) silikon works, fitting and screws including pre-installation to in the steel structure | pcs | 309 | | |
| 3 | Floor (shower) | Checker (floor) plate 4mm thick. for floor including drainage (gully trap - drainage grid) base with 4" (inch) PVC connection horizontal outlet) , silikon works, fitting, and screws including pre-installation to in the steel structure | pcs | 138 | | |
| | | | | | Total Cost | |

LOT2: SOLAR LIGHTING FOR CUBICLES

AN **OPTIONAL** ADDITIONAL TO THE WORKS PROVIDED ABOVE. TO BE PRICED PER PIECE.

| No. | Specification | Unit | Quantity (1) | Unit Price USD (2) | Total Price USD (1) x (2) |
|------------|---|-------------|-------------------------|-----------------------------------|--------------------------------------|
| 1 | Supply solar panel(s), battery and simple associated system to light one cubicle. Includes all wiring, fittings etc plus a switch for the cubicle. All weather-proof. | pcs | 1 | | |
| 2 | Extra light for an additional cubicle at the same location as a system installed as per (1). All wiring, fittings etc plus a switch. Weather-proof. Price to include upgrading solar panel(s) and system if required to power this additional lighting. | pcs | 1 | | |
| 3 | Additional external lighting Supply an external floodlight with all necessary fittings to mount to the cubicle. 10W LED with switch. Triggered on by motion sensor or battey to last six hours continuous use from full charge. Price to include increasing size of solar panels/system correspondingly, to provide the extra power required for this item. | pcs | 1 | | |
| | | | | Sum of Total Prices | |

DELIVERY TIME

..... days from contract signing until first delivery of pcs superstructures (with associated toilet or shower floor).

BIDDER'S COMMENTS/REMARKS:

Please continue on a separate blank sheet if necessary

TERMS AND CONDITIONS OF QUOTATION:

1. Valid of the offer: _____ (mandatory: minimum 3 months)
2. Terms of delivery: _____ (mandatory: DDP + installation)
3. Terms of payment: _____

I undersigned _____, agree to provide ACTED, non-profit NGO, with items answering the above specifications, according to the stated conditions and responsibilities that I engage myself to follow.

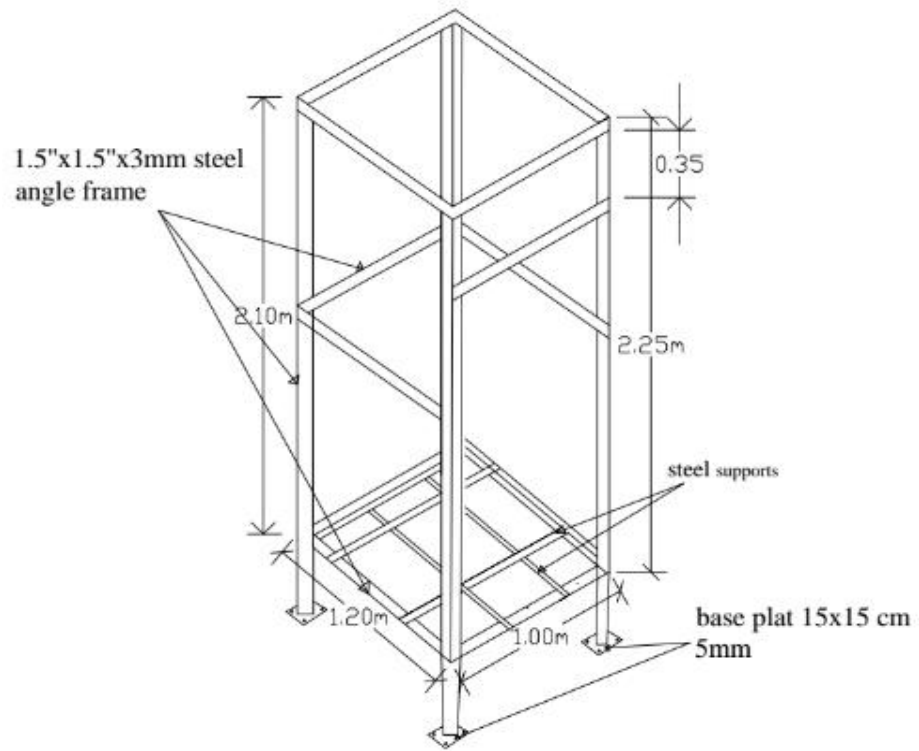
Name of Company's Authorized Representative: _____


Authorized signature and stamp: _____

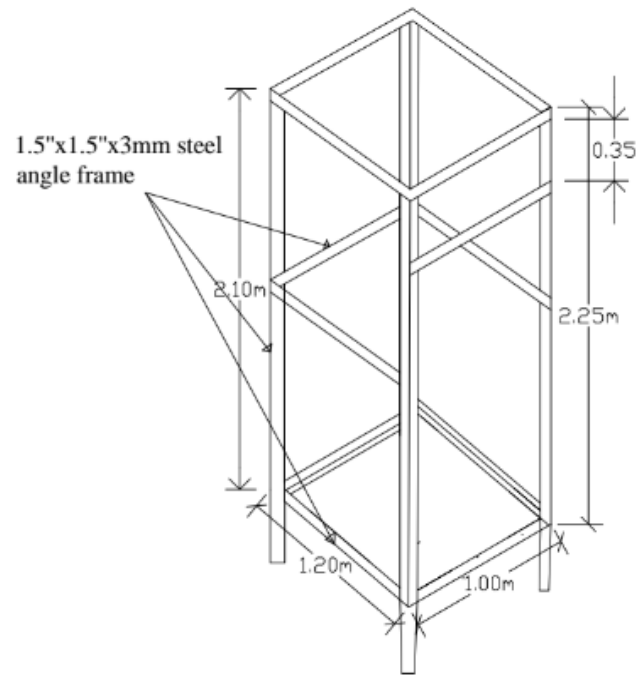
Date: _____


Drawings – for indication only – do not scale

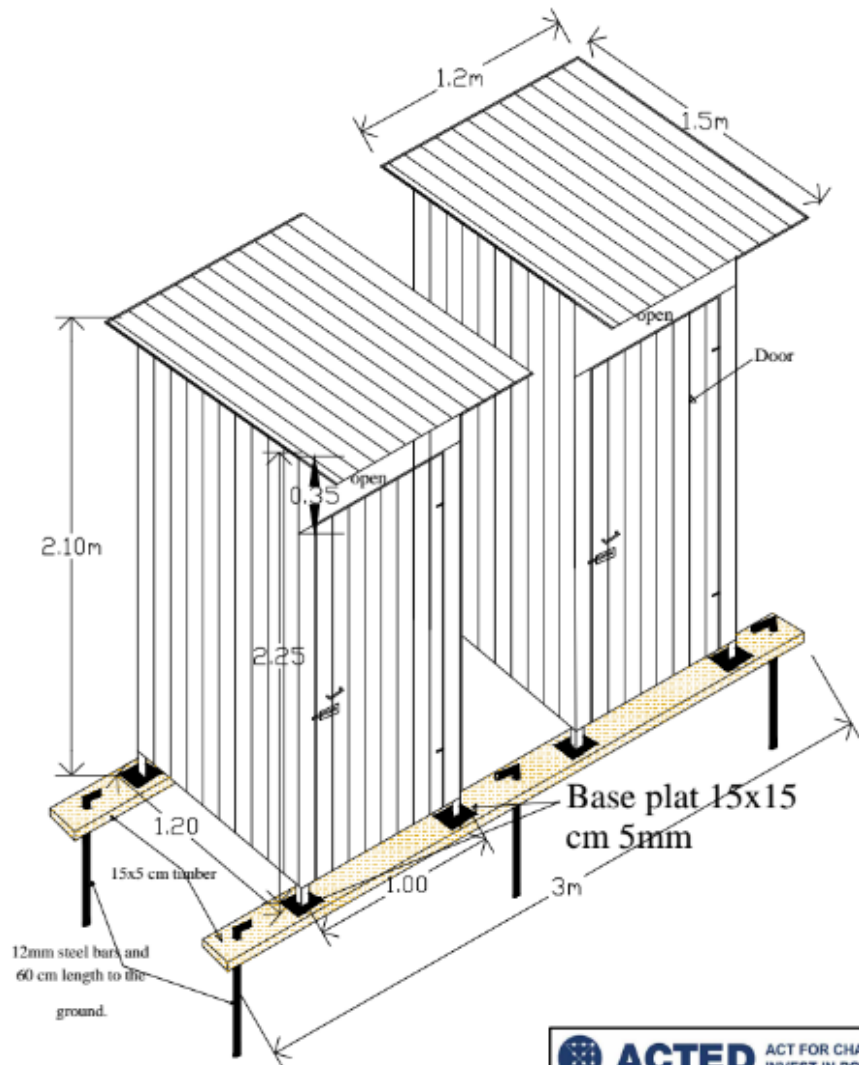
You do not need to submit this and any following pages with your offer. Note that the wooden beams are not part of this Request for Quotation.




| | | | |
|--|-----------------------------|------|---------|
|  ACTED ACT FOR CHANGE INVEST IN POTENTIAL | | | |
| Project Name | Mosul IHPF | | |
| Title | Emergency Latrine Structure | | |
| Drawing No. | 2:4 | View | Isogram |



| | | | |
|--|----------------------------|------|---------|
|  ACTED ACT FOR CHANGE INVEST IN POTENTIAL | | | |
| Project Name | Mosul IHPF | | |
| Title | Emergency Shower Structure | | |
| Drawing No. | 2:4 | View | Isogram |



| | | | |
|--|-------------------|------|---------|
|  ACTED ACT FOR CHANGE INVEST IN POTENTIAL | | | |
| Project Name | Mosul IHPF | | |
| Title | Emergency Latrine | | |
| Drawing. No. | 1:4 | View | Isogram |