

REQUEST FOR QUOTATION

From: < Norwegian Refugee Council, Mosul >
Date: 20th of March 2018
PR: 8800335/1800272

Subject: Supply 1100 L Steel Rubbish Bins

Manner of Submission:

Please submit your quotation in accordance with the requirements to NRC Offices. The office addresses are as below.

In sealed envelope in the RFQ box with clearly mark the **RFQ 8800335/1800272**

- Or NRC Erbil office, Ekhlas Empire Building, 3rd Floor, Korani Ainkawa Area, 100 Meter Street.
- Or NRC Mosul office, Al Zeraie neighbourhood - Sadam Mosque traffic light - AL Yaqoot building, East Mosul.

Deadline for submission of quotations is **15:00PM Iraqi Time on Monday 26th March 2018** promptly. Companies who do not submit their quotation by this deadline will not be considered.

Requirements:

The office of the Norwegian Refugee Council invites your company to make a firm offer for the following items

Goods: Services

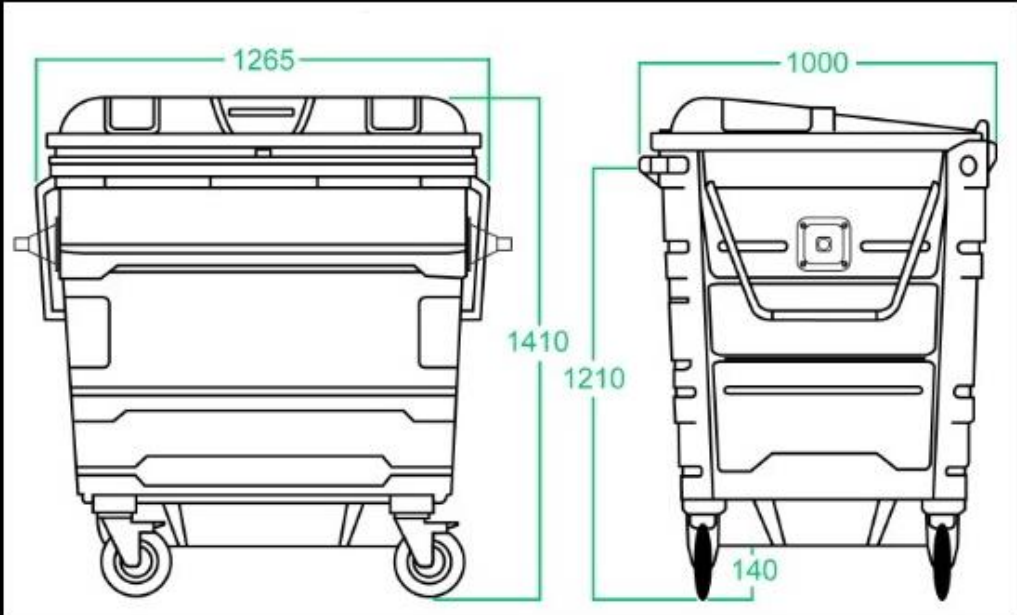
Specifications: As per below table

Quantity: As per below table

Currency of quotation is USD

For supplier to fill in:						
	Item description	Unit	Qty	Unit price(USD)	Total price(USD)	Availability date
Required	Supply of 1100 L Steel Rubbish Bins. The bidders are requested to attach catalogues. NB Samples shall be required from the shortlisted bidders only. See diagram below in this RFQ.	Pcs	95			
Total price						

Supply & Delivery to NRC Mosul Office (Mosul Municipality warehouse)



Additional information required from supplier:	
Quote validity period : مدة صلاحية العرض	
Delivery Period	

Supplier Information

Company name اسم الشركة Stamp/الختم.....

Address/عنوان.....

Contact person/مالك الشركة.....

Contact Telephone number/ رقم الهاتف

NRC reserves the right to accept or reject the whole or part of your quotation based on the information provided. Incomplete quotations, which do not comply with our conditions, will not be considered.

Shortlisted suppliers will be required to submit samples of each item. Please be sure to have all samples available at short notice, and wait for a response from NRC if you have been shortlisted.

Bidders must fill in the following documents together with the RFQ herein attached;

- **NRC Ethical Standards Form**
- **NRC Vendor Registration Form**

